

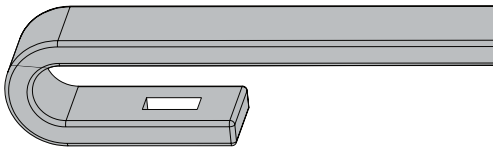


Automotive solution

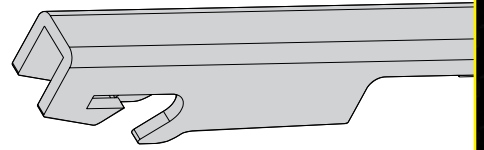


WIPER BLADES FITTING INSTRUCTIONS

SELECT THE CORRECT ARM AND FIND THE CORRECT PAGE NUMBER



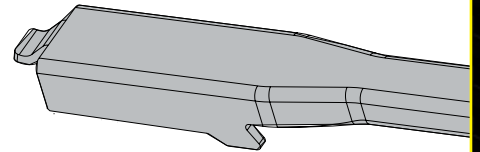
PAGE 3



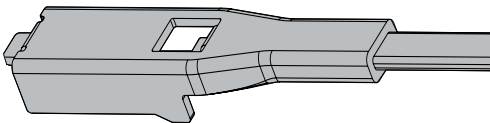
PAGE 4



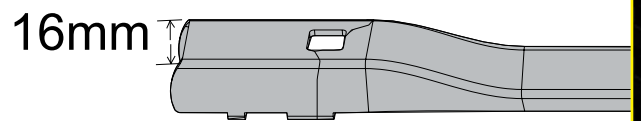
PAGE 5



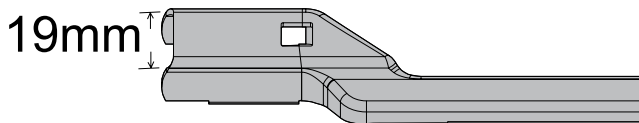
PAGE 6



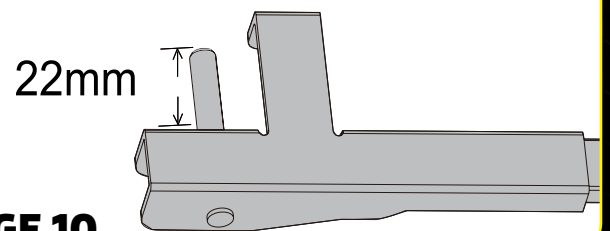
PAGE 7



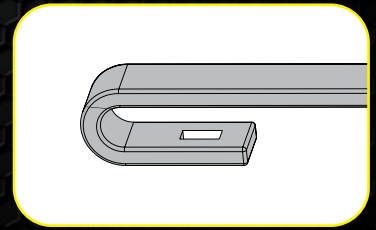
PAGE 8



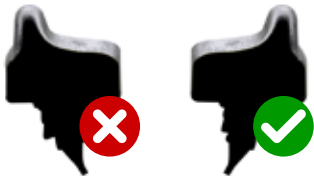
PAGE 9



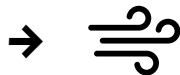
PAGE 10

**WIPER ARM CONNECTION 1**

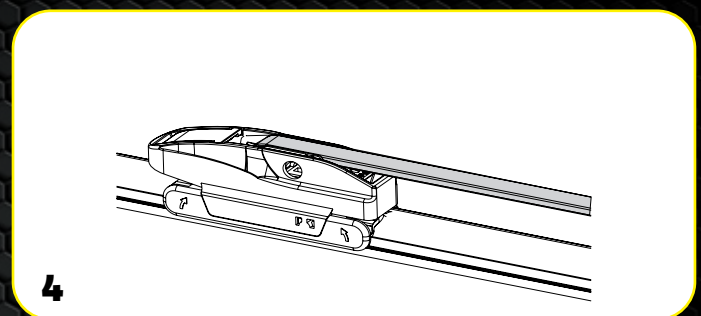
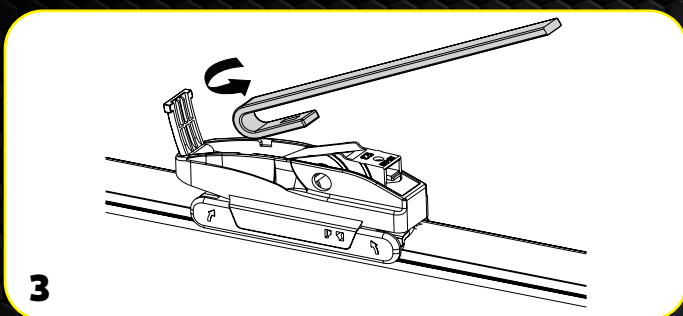
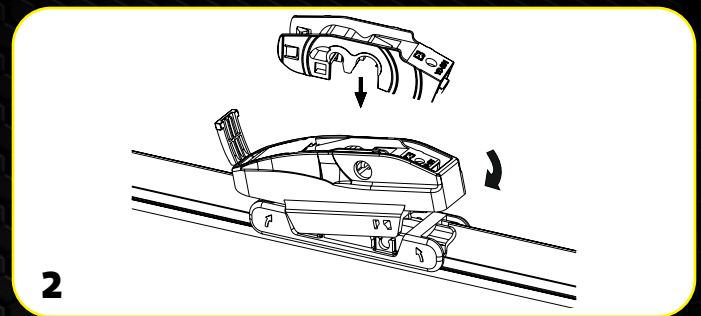
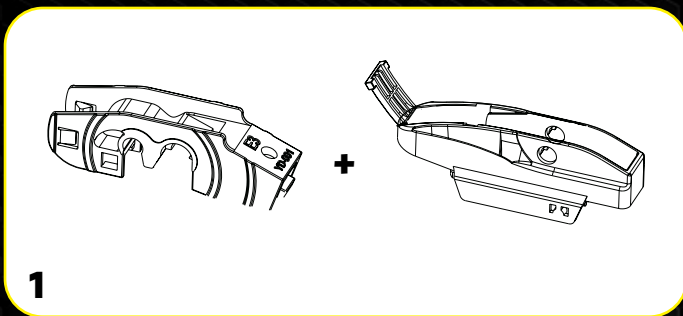
Warning: in case of flatblade wipers, you have to take the shape of the wiper and driving direction into account!



Driving direction

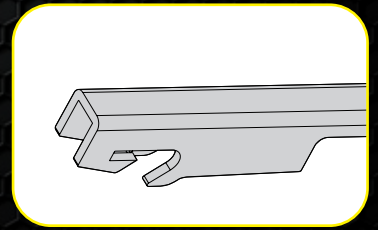


Wind blowing against the wiper



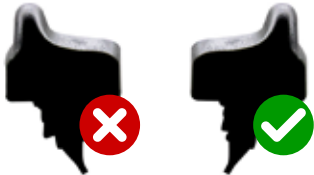
Note: care should be taken when changing blades to ensure that the wiper arm does not spring back onto the windscreen once the blade is removed.

- Ensure the arm are in the wiper service position (if unsure refer to vehicle handbook).
- Lift the arms from the screen and remove the old blades.
- Clean windscreen to remove all debris and grease before installation of new blades.
- Once the new wiper blade is installed on the arm, remove the protective sleeve, and gently lower the arm onto the windscreen.
- Spray windscreen washer prior to testing

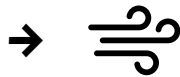


WIPER ARM CONNECTION 2

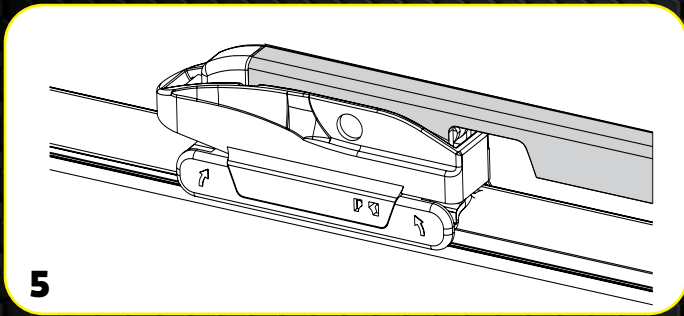
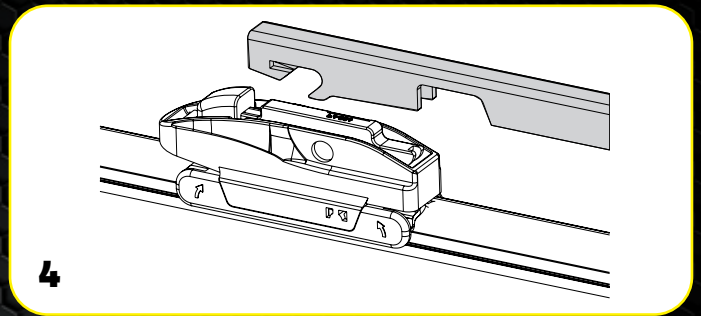
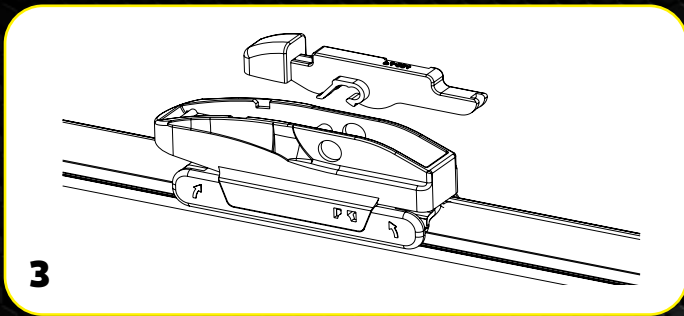
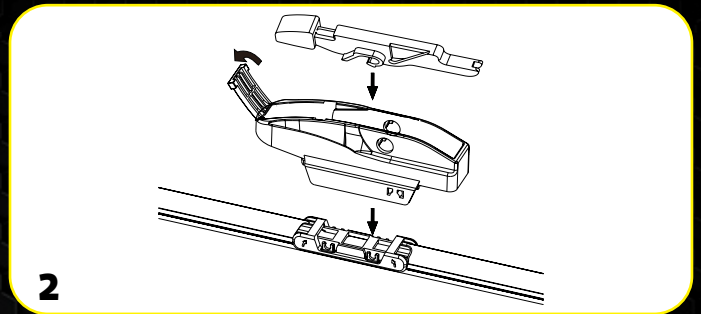
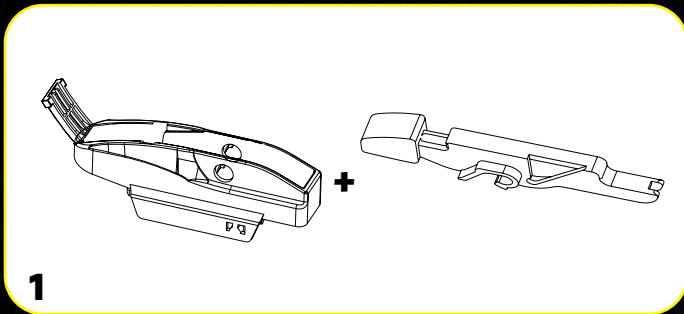
Warning: in case of flatblade wipers, you have to take the shape of the wiper and driving direction into account!



Driving direction

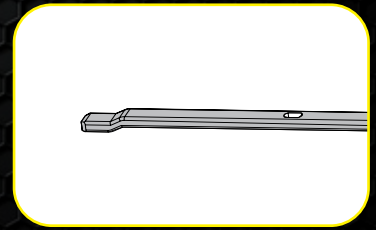


Wind blowing against the wiper

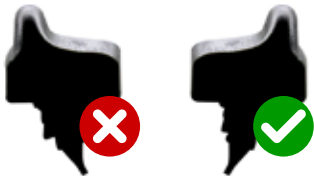
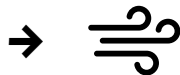
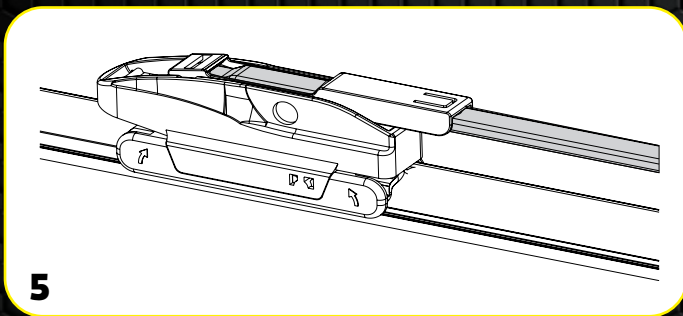
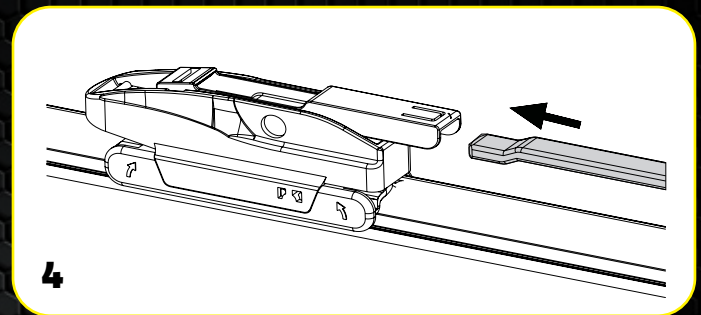
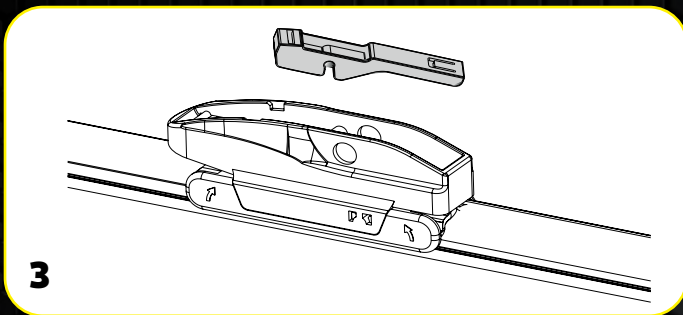
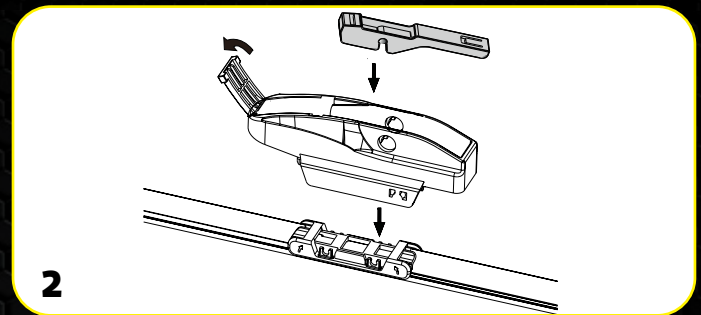
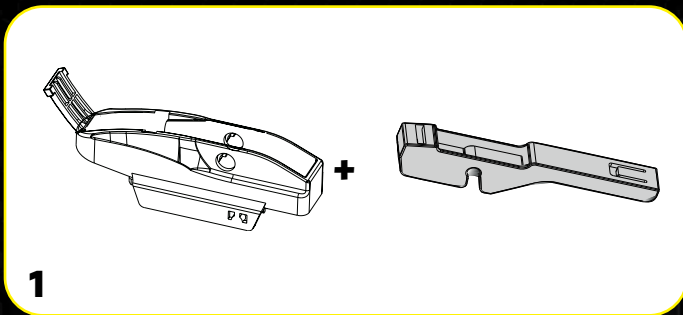


Note: care should be taken when changing blades to ensure that the wiper arm does not spring back onto the windscreen once the blade is removed.

- Ensure the arm are in the wiper service position (if unsure refer to vehicle handbook).
- Lift the arms from the screen and remove the old blades.
- Clean windscreen to remove all debris and grease before installation of new blades.
- Once the new wiper blade is installed on the arm, remove the protective sleeve, and gently lower the arm onto the windscreen.
- Spay windscreen washer prior to testing

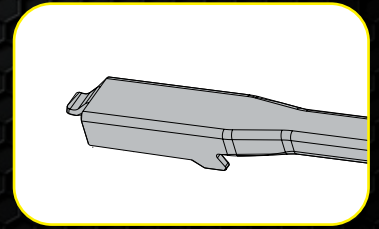
**WIPER ARM CONNECTION 3**

Warning: in case of flatblade wipers, you have to take the shape of the wiper and driving direction into account!

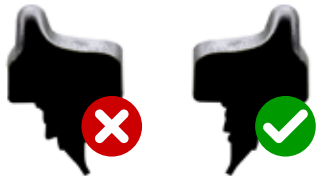
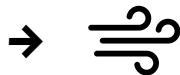
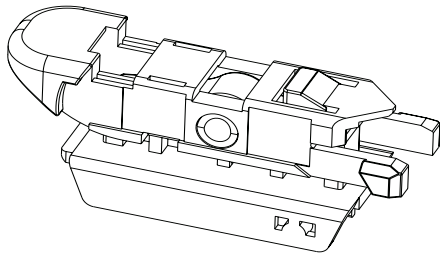
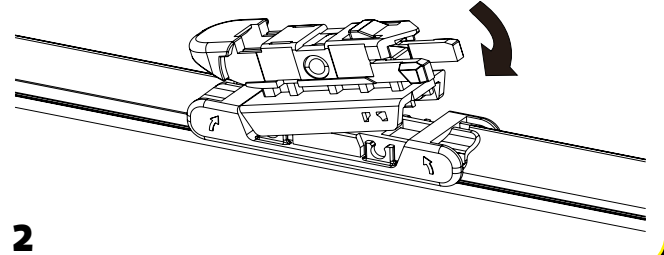
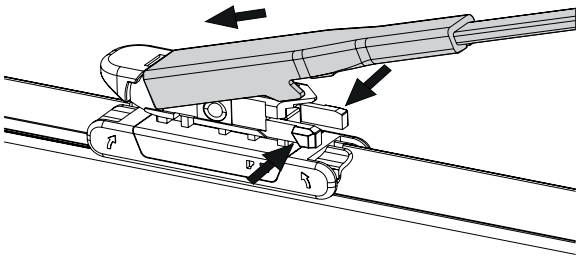
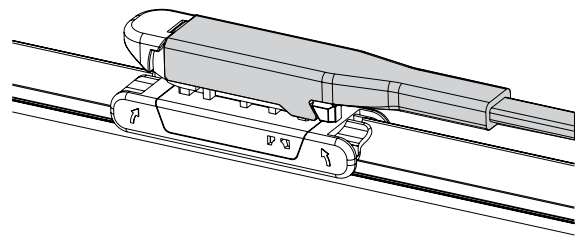
**Driving direction****Wind blowing against the wiper**

Note: care should be taken when changing blades to ensure that the wiper arm does not spring back onto the windscreen once the blade is removed.

- Ensure the arm are in the wiper service position (if unsure refer to vehicle handbook).
- Lift the arms from the screen and remove the old blades.
- Clean windscreen to remove all debris and grease before installation of new blades.
- Once the new wiper blade is installed on the arm, remove the protective sleeve, and gently lower the arm onto the windscreen.
- Spray windscreen washer prior to testing

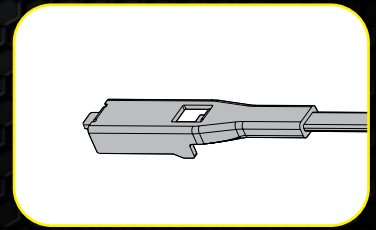
**WIPER ARM CONNECTION 4**

Warning: in case of flatblade wipers, you have to take the shape of the wiper and driving direction into account!

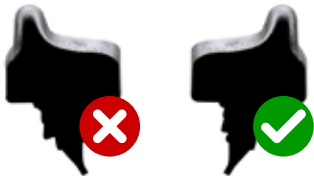
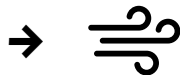
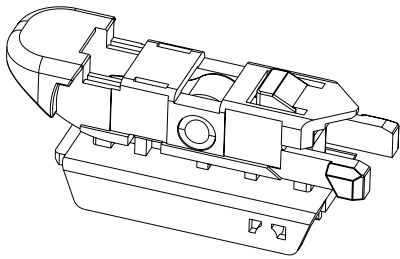
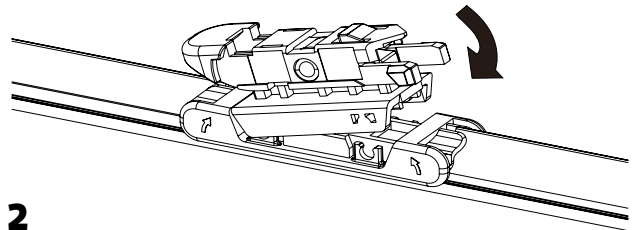
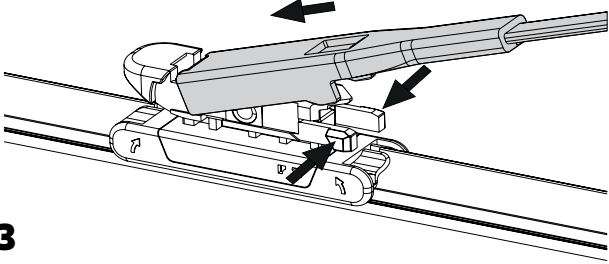
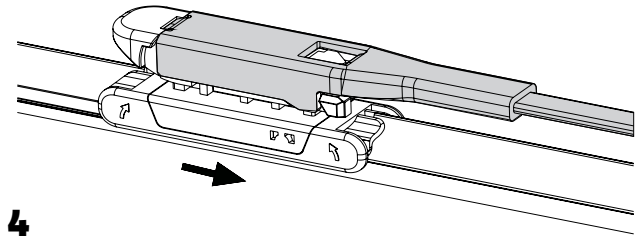
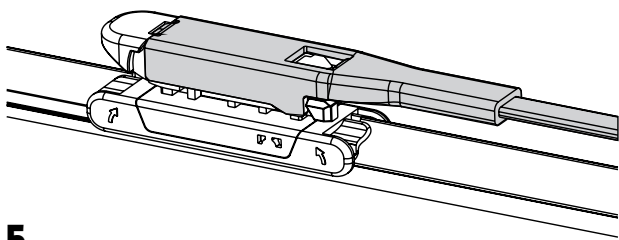
**Driving direction****Wind blowing against the wiper****1****2****3****4**

Note: care should be taken when changing blades to ensure that the wiper arm does not spring back onto the windscreen once the blade is removed.

- Ensure the arm are in the wiper service position (if unsure refer to vehicle handbook).
- Lift the arms from the screen and remove the old blades.
- Clean windscreen to remove all debris and grease before installation of new blades.
- Once the new wiper blade is installed on the arm, remove the protective sleeve, and gently lower the arm onto the windscreen.
- Spray windscreen washer prior to testing

**WIPER ARM CONNECTION 5**

Warning: in case of flatblade wipers, you have to take the shape of the wiper and driving direction into account!

**Driving direction****Wind blowing against the wiper****1****2****3****4****5**

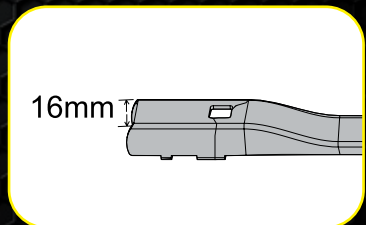
Note: care should be taken when changing blades to ensure that the wiper arm does not spring back onto the windscreen once the blade is removed.

- Ensure the arm are in the wiper service position (if unsure refer to vehicle handbook).
- Lift the arms from the screen and remove the old blades.
- Clean windscreen to remove all debris and grease before installation of new blades.
- Once the new wiper blade is installed on the arm, remove the protective sleeve, and gently lower the arm onto the windscreen.
- Spray windscreen washer prior to testing

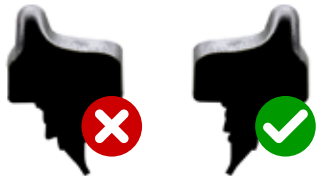


Automotive solution

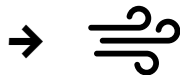
WIPER ARM CONNECTION 6



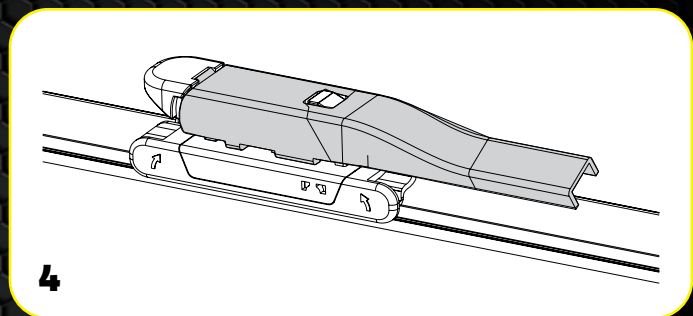
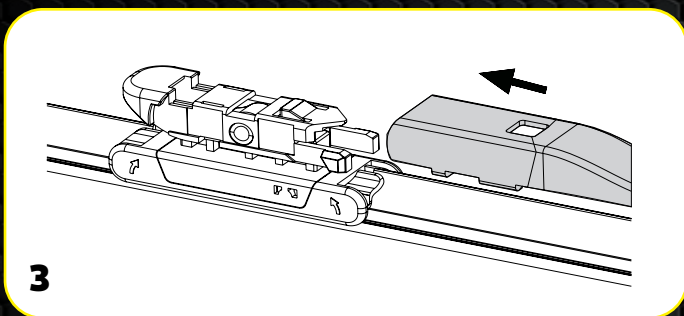
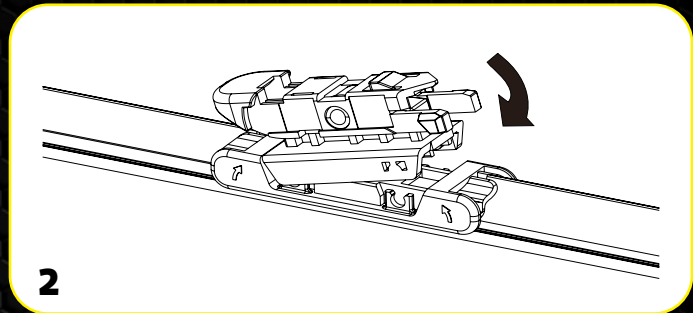
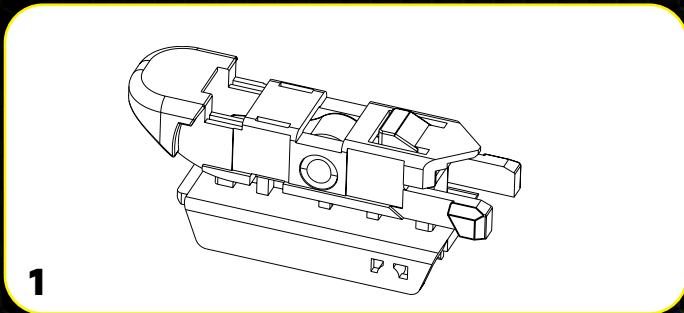
Warning: in case of flatblade wipers, you have to take the shape of the wiper and driving direction into account!



Driving direction



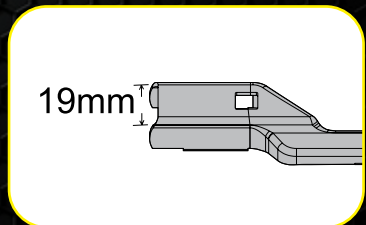
Wind blowing against the wiper



Note: care should be taken when changing blades to ensure that the wiper arm does not spring back onto the windscreen once the blade is removed.

- Ensure the arm are in the wiper service position (if unsure refer to vehicle handbook).
- Lift the arms from the screen and remove the old blades.
- Clean windscreen to remove all debris and grease before installation of new blades.
- Once the new wiper blade is installed on the arm, remove the protective sleeve, and gently lower the arm onto the windscreen.
- Spray windscreen washer prior to testing

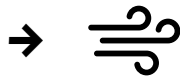
WIPER ARM CONNECTION 7



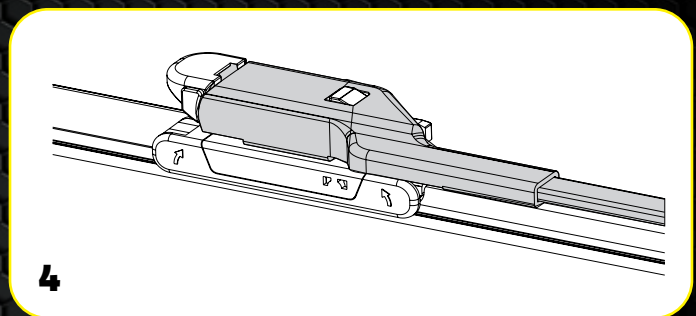
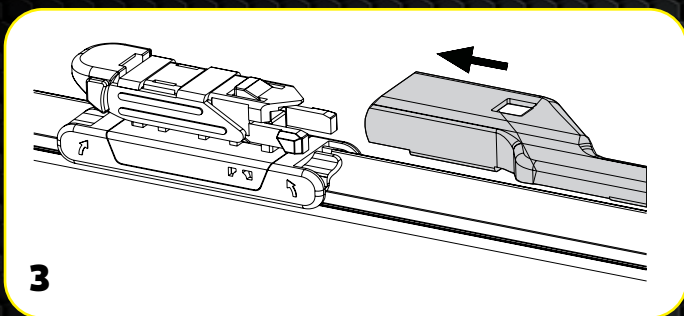
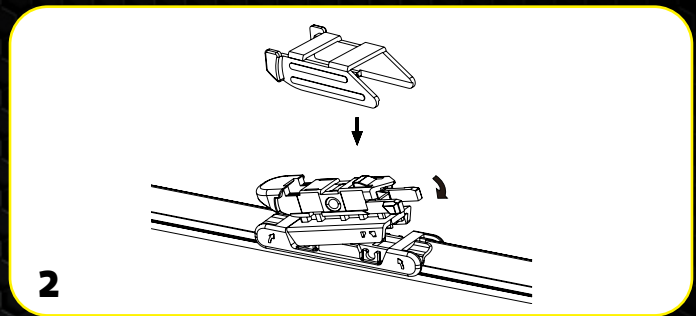
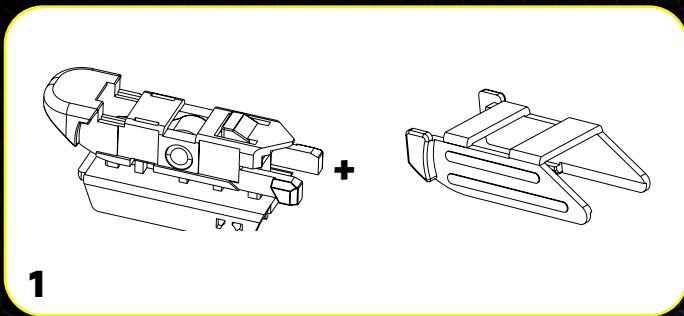
Warning: in case of flatblade wipers, you have to take the shape of the wiper and driving direction into account!



Driving direction



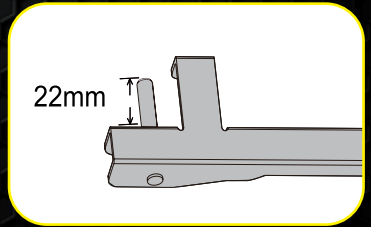
Wind blowing against the wiper



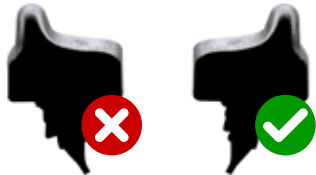
Note: care should be taken when changing blades to ensure that the wiper arm does not spring back onto the windscreen once the blade is removed.

- Ensure the arm are in the wiper service position (if unsure refer to vehicle handbook).
- Lift the arms from the screen and remove the old blades.
- Clean windscreen to remove all debris and grease before installation of new blades.
- Once the new wiper blade is installed on the arm, remove the protective sleeve, and gently lower the arm onto the windscreen.
- Spray windscreen washer prior to testing

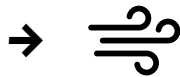
WIPER ARM CONNECTION 8



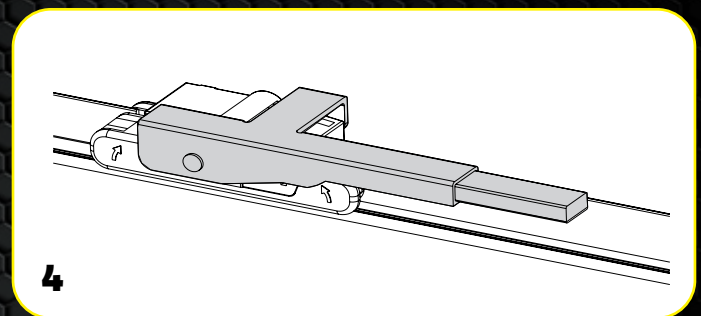
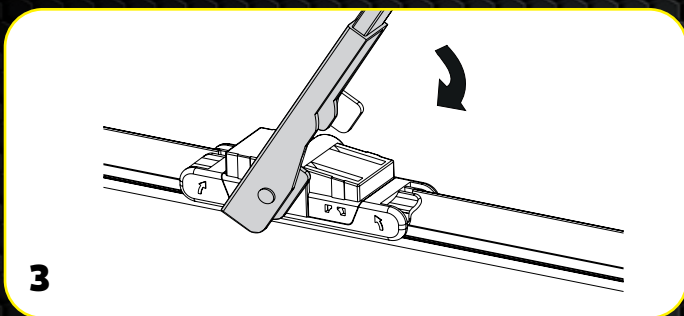
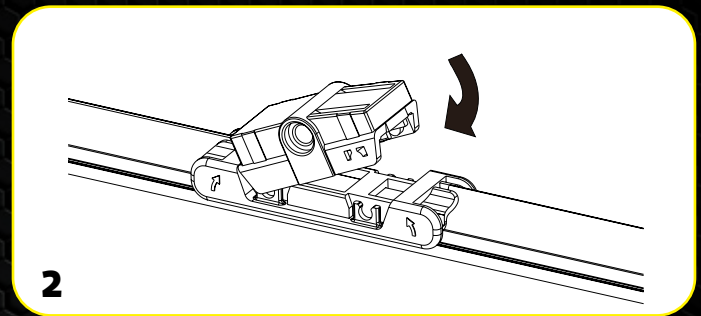
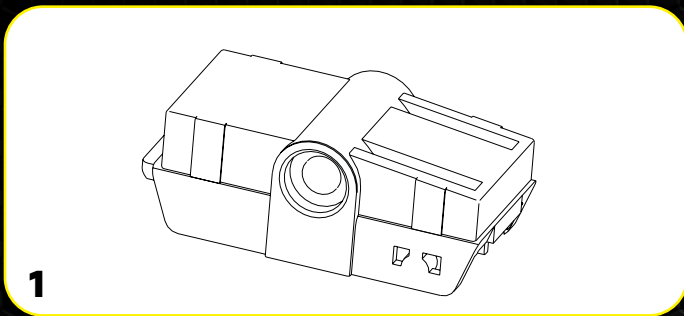
Warning: in case of flatblade wipers, you have to take the shape of the wiper and driving direction into account!



Driving direction



Wind blowing against the wiper



Note: care should be taken when changing blades to ensure that the wiper arm does not spring back onto the windscreen once the blade is removed.

- Ensure the arm are in the wiper service position (if unsure refer to vehicle handbook).
- Lift the arms from the screen and remove the old blades.
- Clean windscreen to remove all debris and grease before installation of new blades.
- Once the new wiper blade is installed on the arm, remove the protective sleeve, and gently lower the arm onto the windscreen.
- Spray windscreen washer prior to testing